



Manufacturer of Complete Crushing & Screening Plants
Supplier of Environmentally-friendly Sand & Gravel Solutions
Service Provider of Smart Energy-saving Electric Control Management



CRUSH TO BUILD A BETTER WORLD

Phoenix Mining Equipment (Shanghai) Co., Ltd.

📍 China Headquarter:
4th Floor, No. 15, Lane 15, Gudun Road, Pudong
New Area, Shanghai

✉ info@shpks.com
☎ +86 (21) 33781259

📍 Manufacturing Base:
No.1 Huihai Road, Binhai Industrial Park,
Qidong, Jiangsu, China

☎ +86 (21) 38921101
🌐 www.shpks.com



SCAN ME

Phoenix Mining Equipment (Shanghai) Co., Ltd.



COMPANY PROFILE

Phoenix Mining Equipment (Shanghai) Co., Ltd. is a modern crushing and screening equipment manufacturing enterprise integrating R&D, production, sales and service. It was formed by a joint venture of "Black Rock Tech Inc" in U.S.A. and "Jiangsu Phoenix Machinery Co., Ltd" in China. Phoenix's long history goes back to year 1997, when its parent company HENGYUAN Road & Bridge GROUP was established. After over 20 years experience gathering in designing and manufacturing of crushing equipment and casting parts, Phoenix is committing to inspire the traditional mining industry with emerging technology and create a smart, environmentally-friendly and energy saving crushing and screening system in line with the development of the new era.

Phoenix has a 60000 m² large modern manufacturing base with professional cutting and welding workshop, digital processing workshop, high-standard assembly workshop, and large spraying workshop. The company products have passed ISO9001: 2015 international quality system certification. The main products include: jaw crusher, cone crusher, impact crusher, VSI crusher, vibrating feeder, vibrating screen, etc.

COMPANY ADVANTAGES

R&D Advantages

- Strong technical R&D team, more than 20 years research and development experience in crushing and screening equipment.
- Pay attention to scientific and technological innovation, constantly increase investment in scientific research input, improve the speed of product development, and enhance product competitiveness.
- Bring in the core patent of energy saving electric control management system, and increase the added value of products.
- All products have passed ISO9001: 2015 international quality system certification.

Production Advantages

- Modern manufacturing base with professional cutting and welding workshop, digital processing workshop, high-standard assembly workshop and large spraying workshop.
- Comprehensive processing and manufacturing capabilities with large CNC processing equipment, large vertical lathes, vertical boring and milling machines, etc.
- Casting parts are supplied by our own foundry nearby the crushing equipment factory, quality is guaranteed and production time can be shortened as well.
- A professional team of skilled processing, welding, assembling workman and QC inspectors to guarantee qualified products.

Service Advantages

- Quick response to customer's enquiry, warm pre-sales service.
- Free consulting service of flow chart design for crushing plant.
- Technical service from project engineers to provide plan layout drawing and civil foundation drawing after signing the contract.
- Professional technicians with at least 5 years experience from China to customer's production site abroad to guide installation and commissioning of complete crushing plant.
- 7*24H online after-sales service, and 48 hours door-to-door maintenance service after getting the visa.

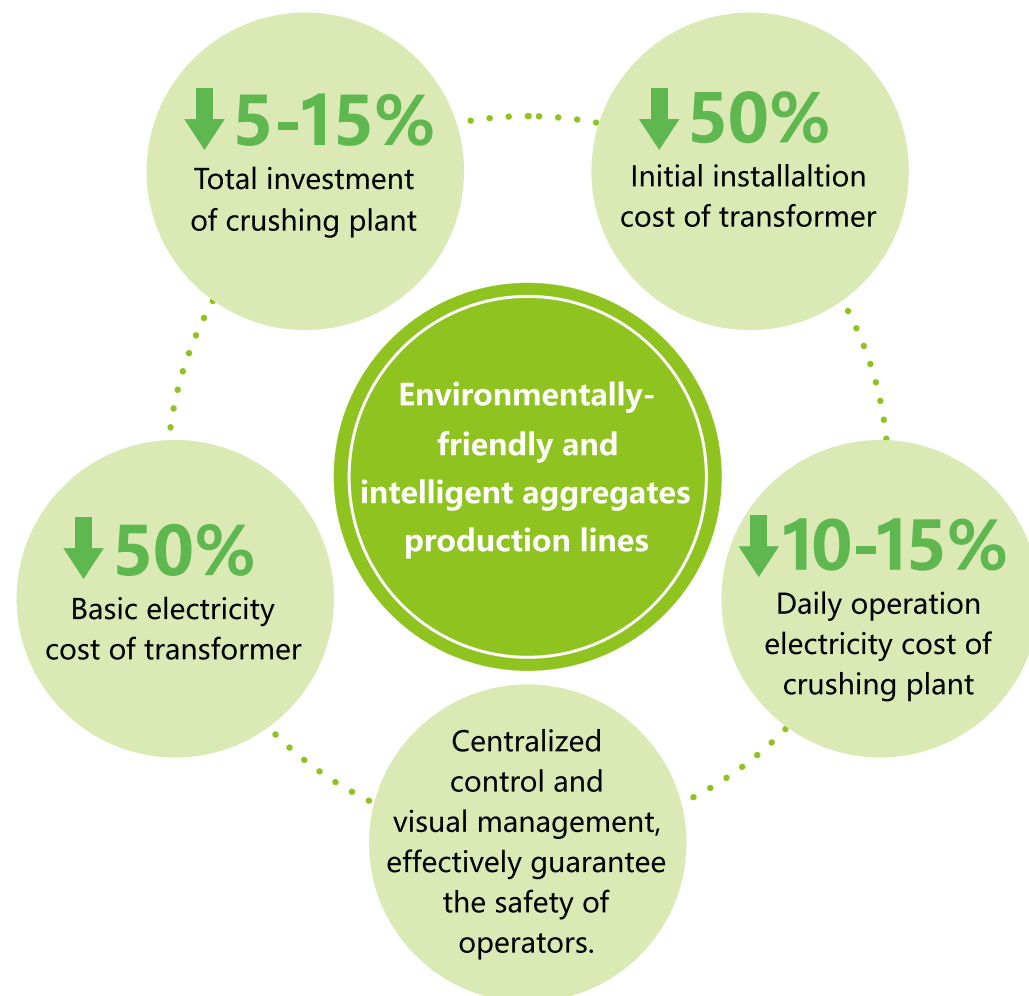
 **PHOENIX**



SMART ENERGY-SAVING ELECTRIC CONTROL MANAGEMENT SYSTEM

Smart energy-saving electric control management system is a new type product created by Phoenix team in accordance with the policy of promoting environmentally-friendly and intelligent aggregates production line in China. The system can provide a customized energy saving management solution according to different project requirements and customer needs to achieve centralized control electricity saving, power supplement to high load equipment, and transformer expansion.

So far, the smart energy-saving electric control management system has been applied in numbers of environmentally-friendly and intelligent aggregates production lines in China. Based on users' feedback and comprehensive analysis, the system has the following advantages:



CONTENT



CRUSHING EQUIPMENT

FKH Gyrotory Crusher	07
FKE Jaw Crusher	09
FPE Jaw Crusher	11
FKF Impact Crusher	13
FPF Impact Crusher	15
FKD Single-cylinder Hydraulic Cone Crusher	17
FKG Multi-cylinder Hydraulic Cone Crusher	19
FYF Compound Cone Crusher	21



SAND PROCESSING EQUIPMENT

FKL Vertical Shaft Impact Crusher	23
FKN Reversible No-grate Hammer Crusher	25
FXL Spiral Sand Washer	27
FKT Dewatering Screen	29



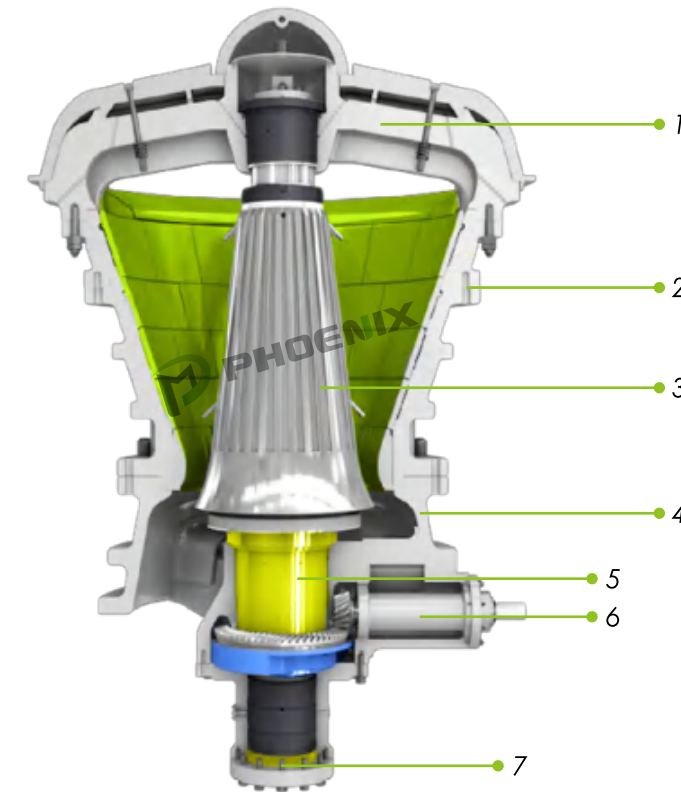
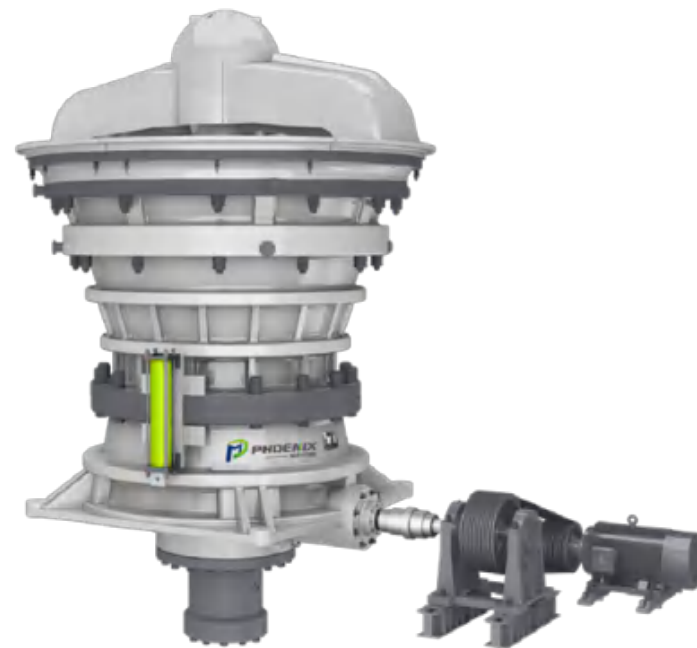
FEEDER & SCREEN

FKZ Vibrating Feeder (Grizzly)	31
FKX Vibrating Feeder	33
FYK Vibrating Screen	35

FKH GYRATORY CRUSHER

INTRODUCTION

FKH gyratory crusher is a new type primary crushing equipment with large inclination angle crushing cavity and long crushing surface. The capacity of gyratory crusher can range from 1000 to 5000 tons per hour. The ultra-heavy frame, special wear-resistant liners and integrated vertical shaft assembly design ensure a longer service life and more safe and reliable working of the crusher. Instead of jaw crusher, FKH gyratory crusher is very suitable for primary crushing in large crushing plant above 1000 tons per hour.



- 1 Upper Frame
- 2 Middle Frame
- 3 Movable Cone
- 4 Lower Frame
- 5 Eccentric Part
- 6 Transmission Part
- 7 Hydraulic Part

FEATURES

- Unique crushing cavity design, large crushing capacity, and less abrasion of the liners.
- Arc bevel gear transmission ensures high load capacity, stable operation and low noise.
- Hydraulic adjustment of discharge opening can reduce the work intensity of workers and make the operation and maintenance easier.
- The piston accumulator can provide overload protection to the crusher.
- The effective dustproof sealing device is equipped with a positive pressure blower to ensure that no dust enters the eccentric and driving parts.
- High-strength and stable frame design allows the trucks to unload materials directly into the crusher.
- Position indication system for the main shaft can detect the discharge opening size easily.

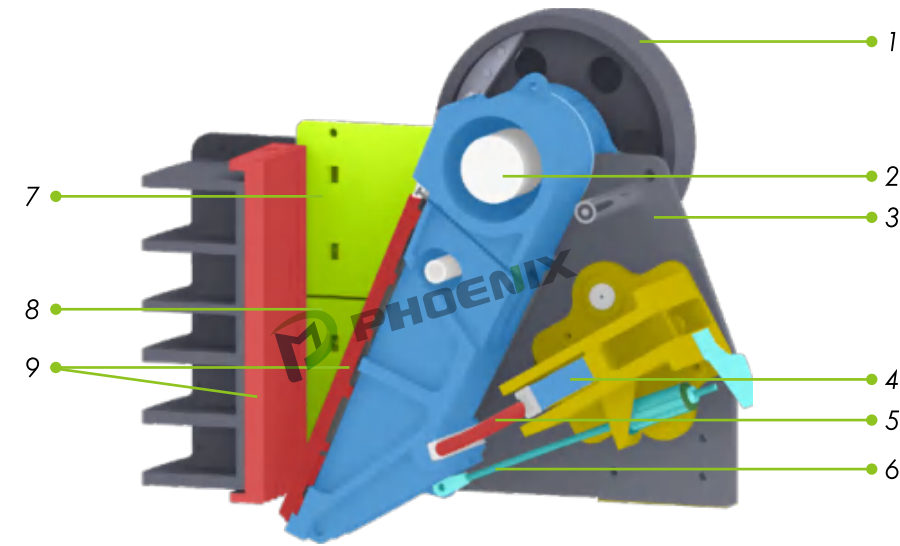
Technical Parameters - FKH Gyratory Crusher

Model	Feed opening width	Max. feed size	Nominal discharge opening width	Bottom diameter of vertical cone	Adjusting range of discharge opening	Capacity	Power	Weight (excluding motor)
	(mm)	(mm)	(mm)	(mm)	(mm)	(t/h)	(kw)	(kg)
FKH-1040	1040	800	140	1600	140-175	1600-2350	315	127900
FKH-1210	1210	1000	150	1640	150-175	2200-2750	355	155800
FKH-1400	1400	1200	150	2200	150-200	2550-3380	450	246300
FKH-1600	1600	1350	150	2500	150-200	2580-3700	450	304600
FKH-1665	1600	1350	165	2500	165-230	4050-5530	600	389600

FKE JAW CRUSHER

INTRODUCTION

FKE jaw crusher is a deep cavity crusher which is one of the most commonly used crushing equipment in quarries. It is mainly used for primary and secondary crushing of stone and ores with compressive strength not more than 350 MPa. The fixed jaw plate, movable jaw plate and cheek plate of FKE jaw crusher are made of high-quality wear-resistant materials. With high crushing ratio, long service life of wearing parts, FKE jaw crusher is the preferred equipment for primary crushing.



- 1 Flywheel
- 2 Eccentric Shaft
- 3 Frame
- 4 Adjusting Seat
- 5 Toggle Plate
- 6 Tension Rod
- 7 Upper Cheek Plate
- 8 Lower Cheek Plate
- 9 Jaw Plates

FEATURES

• Features of jaw crushers below FKE-860:

- Deeper cavity and higher capacity than ordinary jaw crusher.
- Stronger frame body with tenon-type welding compared with inblock casting frame.
- Hydraulic cylinders are designed for FKE-760 and FKE-860 at the rear of the frame to make maintenance more easier. Discharge opening can be adjusted hydraulically.

• Features of jaw crushers above FKE-910:

- The use of cooling pin (in -196°C liquid nitrogen) assembly technology to increase the equipment load capacity and to make sure the frame body not crack and deform.
- The discharge opening can be adjusted full hydraulically by the double wedge adjusting system with high degree of automation. The system can help adjust the discharge opening quickly and clean the cavity.

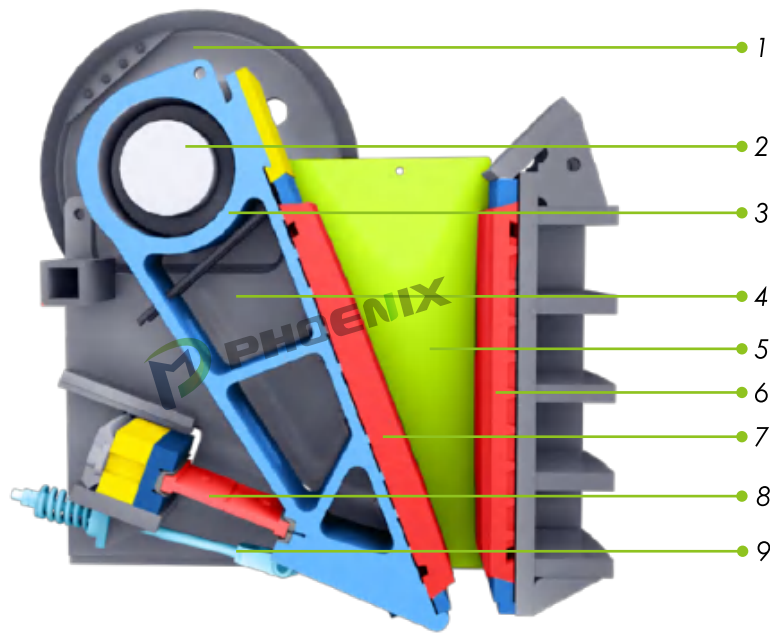
Technical Parameters - FKE Jaw Crusher

Model	Feed opening size	Max. feed size	Discharge opening size	Capacity	Power	Weight (excluding motor)
	(mm)	(mm)	(mm)	(t/h)	(kw)	(kg)
FKE-550	550×910	450	70-130	55-150	75	11000
FKE-630	630×910	500	65-195	130-285	90	15600
FKE-760	760×1065	650	100-170	200-400	132	28200
FKE-860	860×1065	750	200-270	250-500	132	28700
FKE-910	910×1230	750	100-250	280-570	160	45000
FKE-1400	1070×1400	900	100-300	390-725	200	58200
FKE-1600	1200×1630	1020	150-350	500-900	250	80200
FKE-2000	1500×2000	1300	150-350	750-1400	400	150000

FPE JAW CRUSHER

INTRODUCTION

FPE jaw crusher is widely used in primary crushing of large size materials with compressive strength not more than 320Mpa for mining, metallurgy, building materials, highway, railway, water conservancy and chemical industries, etc. FPE series jaw crusher is suitable for coarse crushing, and FPEX series jaw crusher is suitable for medium and fine crushing.



- 1 Flywheel
- 2 Eccentric Shaft
- 3 Movable Jaw
- 4 Frame
- 5 Cheek Plate
- 6 Fixed Jaw Plate
- 7 Movable Jaw Plate
- 8 Toggle Plate
- 9 Tension Rod

FEATURES

- Simple and strong structure, stable working and easy maintenance.
- High capacity and high crushing ratio.
- Wear resistant wearing parts with long service life, suitable for crushing high hardness materials.

Technical Parameters - FPE Jaw Crusher

Model	Feed opening size (mm)	Max. feed size (mm)	Discharge opening size (mm)	Capacity (t/h)	Eccentric shaft speed (r/min)	Power (kw)	Weight (excluding motor) (kg)	Overall dimensions (mm)
FPE-400X600	400X600	340	40-100	16-64	275	30	6500	1560X1730X1580
FPE-500X750	500X750	425	50-100	45-100	275	55	10300	1890X1910X1870
FPE-600X900	600X900	500	65-160	48-120	250	55/75	15500	2300X1840X2290
FPE-750X1060	750X1060	630	80-140	115-208	250	110	27020	2450X2470X2840
FPE-800X1060	800X1060	650	100-200	136-228	250	110	28400	2610X2500X2800
FPE-870X1060	870X1060	670	200-260	290-384	250	110	30500	2660X2550X2800
FPE-900X1200	900X1200	750	100-200	180-304	200	132	50000	3330X3180X3020
FPE-1000X1200	1000X1200	850	195-265	315-342	200	132	50600	3430X3180X3020
FPE-1200X1500	1200X1500	1020	150*350	300-800	180	220	83000	4200X3730X3840
FPE-1500X1800	1500X1800	1200	220-350	450-1000	180	355	122000	5160X3660X4248
FPEX-250X1000	250X1000	210	25-60	16-52	330	37/30	6500	1530X1990X1380
FPEX-250X1200	250X1200	210	25-60	20-60	330	37	7700	1900X2100X1430
FPEX-300X1300	300X1300	250	20-90	20-104	300	75	11000	1750X2320X1720

FKF IMPACT CRUSHER

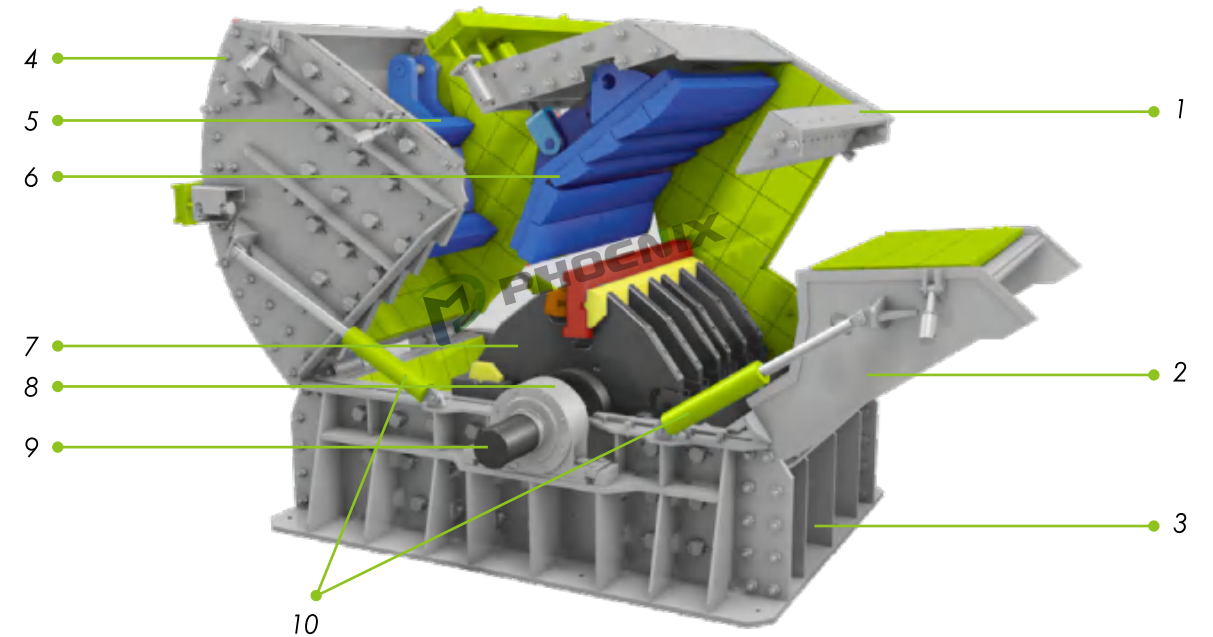
INTRODUCTION

FKF impact crusher is an advanced crushing equipment for coarse, medium and fine crushing of brittle materials such as limestone, dolomite, sandstone, graphite, halite, granite, basalt, etc. It is easy for operating and maintenance, and the crushed products are of good cubic shape. FKF impact crusher can have two or three crushing chambers to meet different requirements for output sizes and capacity.



FEATURES

- Hydraulic opening of frames, easy for maintenance and replacement of wearing parts.
- Hydraulic adjustment of discharge opening.
- Most of side liners are of same size and are interchangeable, which can save long-term running cost.
- The side liners are locked by wedge pin instead of bolts. The liners can be simply and quickly installed and replaced.



- | | | |
|----------------|----------------------|-----------------------|
| 1 Middle Frame | 5 Second Impact Rack | 9 Shaft |
| 2 Front Frame | 6 First Impact Rack | 10 Hydraulic Cylinder |
| 3 Bottom Base | 7 Rotor Rack | |
| 4 Rear Frame | 8 Bearing Seat | |

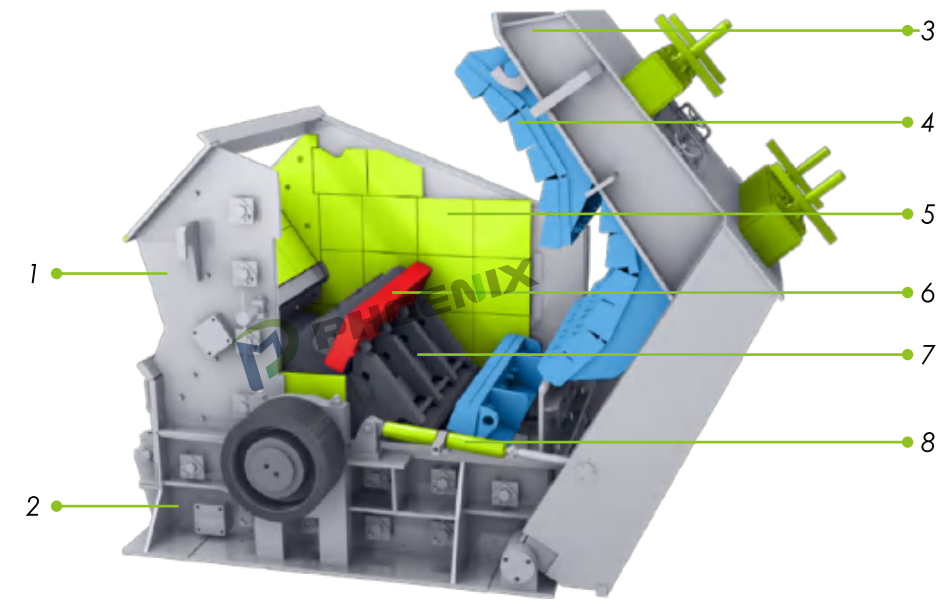
Technical Parameters - FKF Impact Crusher

Model	Rotor size	Feed opening size	Max. feed size	Discharge size	Capacity	Power	Weight (excluding motor)
	(mm)	(mm)	(mm)	(mm)	(t/h)	(kw)	(kg)
FKF-100	Ø1000×1000	350×1020	200	≤40	80-110	110	10000
FKF-130	Ø1280×1340	500×1360	200	≤60	160-220	200	19900
FKF-150	Ø1540×1500	504×1530	300	≤60	320-380	315	30000
FKF-180	Ø1600×1800	550×1800	350	≤60	450-580	500	40300
FKF-200	Ø1800×2000	650×2000	600	≤80	600-750	710	65000

FPF IMPACT CRUSHER

INTRODUCTION

FPF impact crusher is usually used as the secondary crusher to crush materials with max. feed size of 500mm and compressive strength not more than 320Mpa. As the products are of good shape, FPF impact crusher is widely used in highway construction, water conservancy and building industries.



- 1 Front Frame
- 2 Bottom Base
- 3 Rear Frame
- 4 Impact Plate
- 5 Side Plate
- 6 Blow Bar
- 7 Rotor Rack
- 8 Hydraulic Cylinder

FEATURES

- High crushing ratio and efficiency.
- Stable rotation of rotor, safe and reliable work.
- Cubic and good shape products.
- Simple structure, easy operation and maintenance.

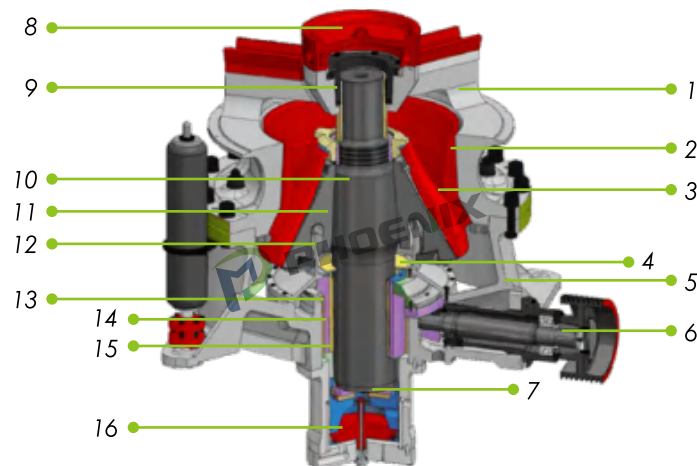
Technical Parameters - FPF Impact Crusher

Model	Rotor size	Feed opening size	Max. feed size	Capacity	Power	Weight (excluding motor)	Overall dimensions
	(mm)	(mm)	(mm)	(t/h)	(kw)	(kg)	(mm)
FPF-1007	Φ1000×700	400×730	300	25-45	30-55	9500	2400×1558×2660
FPF-1010	Φ1000×1050	400×1080	350	50-80	55-75	12200	2400×2250×2620
FPF-1210	Φ1250×1050	400×1280	350	80-120	110-132	14200	2690×2338×2890
FPF-1214	Φ1250×1400	400×1430	350	100-160	132-160	18500	2690×2688×2890
FPF-1310	Φ1300×1050	490×1170	400	80-140	110-160	13500	2780×2478×2855
FPF-1315	Φ1320×1500	860×1520	500	150-220	220	20900	3350×2710×2670
FPF-1515	Φ1500×1500	980×1610	500	220-280	315	30500	3950×3350×3055

FKD SINGLE-CYLINDER HYDRAULIC CONE CRUSHER

INTRODUCTION

FKD single-cylinder hydraulic cone crusher is an advanced crushing equipment which adopts laminating crushing technology to produce fine and uniform materials. It is usually used for secondary and tertiary crushing in a complete crushing plant, and can effectively crush and discharge specified particle size. With high automation, it is easy to operate and maintain, and suitable for high capacity production.



- | | |
|---------------------|-----------------------|
| 1 Upper Frame | 9 Upper Bearing |
| 2 Concave | 10 Main Shaft |
| 3 Mantle | 11 Cone body |
| 4 Thrust Collar | 12 Dust Ring |
| 5 Lower Frame | 13 Rack Bushing |
| 6 Transmission Part | 14 Eccentric Bushing |
| 7 Friction Disk | 15 Main Shaft Bushing |
| 8 Top Cover | 16 Piston |

FEATURES

- Special crushing cavity, reasonable eccentricity, ideal swing frequency and laminating crushing bring higher output, larger crushing ratio and better particle shape.
- Advanced overload protection system ensures long-term operation of the equipment and can reduce the failure rate.
- Positive pressure dust-proof system keeps the lubrication system clean, and protects the equipment from dust pollution during operation.
- High degree of automation and simple operation.

Technical Parameters - FKD Single-cylinder Hydraulic Cone Crusher

Model	Power (kw)	Cavity type	Max. feed size (mm)	CSS Discharge opening (mm) & Standard capacity (t/h)											
				6	8	10	13	16	19	22	25	32	38	44	51
FKD-44	220	Extra-coarse	217					115-202	123-279	132-297	140-316	160-360	177-399		
		Coarse	177				102	110-220	118-295	126-316	135-336	153-382	169-339		
		Medium-coarse	142				98-124	107-266	105-286	122-305	130-325	148-333	163-245		
		Medium	112				119-190	128-283	138-303	148-324	157-345	179-286	198		
		Medium fine	87			117	127-232	137-251	147-269	157-288	167-306	190-254			
		Fine	72			93-139	99-181	107-196	115-212	123-227	133-243	141-258	160-214		
		Extra-fine	40	100	125										
FKD-53	315	Extra-coarse	280					180	193-344	207-444	220-472	250-557	277-616	303-674	334-520
		Standard-coarse	250					178-198	191-382	204-498	216-530	247-604	273-667	299-532	330-361
		Coarse	220					175-194	188-376	201-491	214-522	244-596	269-658	295-524	324-361
		Medium-coarse	180					167-260	179-438	191-468	204-498	232-568	256-513	281-374	
		Medium	140					204-306	219-456	234-487	249-519	284-521	313-418		
		Medium fine	120				200	216-385	232-413	247-441	263-470	299-471	331-379		
		Fine	90			206-320	222-347	238-373	255-398	271-424	309-425	342			
		Extra-fine	70			227-316	244-340	263-321	281-312						
FKD-870	500		80-330	Adjusting range of discharge opening 10-60mm / Capacity 500-1200t/h / Weight 59 tons											

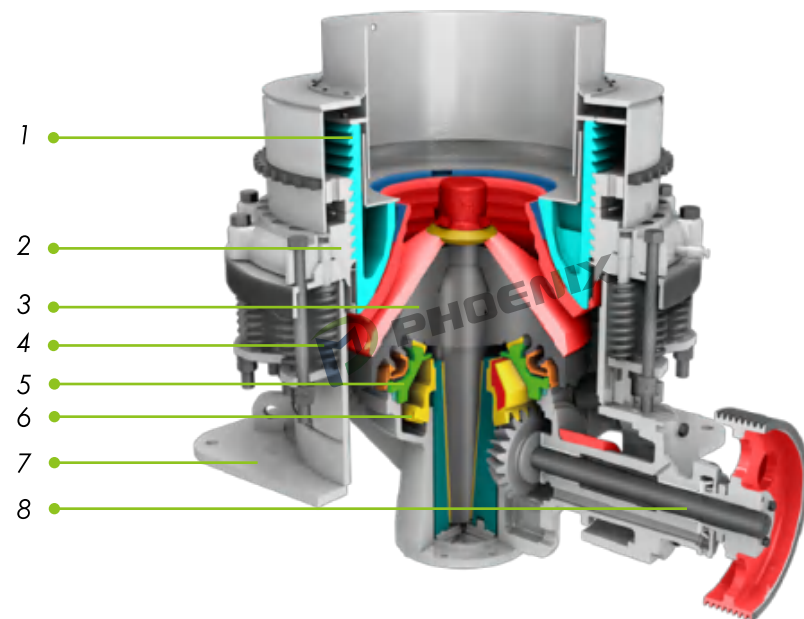
Model	Power (kw)	Cavity type	Max. feed size (mm)	CSS Discharge opening (mm) & Standard capacity (t/h)											
				19	22	25	29	32	35	38	41	44	48	51	
FKD-44S	220	Extra-coarse	400							267	282-353	298-446	313-563	334-601	349-534
		Coarse	350				225	239-299	254-381	269-484	284-511	298-448	318-398	333	
		Medium-coarse	300			195	214-267	228-342	242-435	256-461	270-486	284-426	303-378	317	

Model	Power (kw)	Cavity type	Max. feed size (mm)	CSS Discharge opening (mm) & Standard capacity (t/h)											
				38	41	44	48	51	54	60	64	70	76	83	
FKD-53S	315	Extra-coarse	450			349	368-460	392-588	410-718	428-856	456-929	489-978	525-1050	562-983	604
		Coarse	400	318	336-410	353-618	376-753	394-788	411-823	446-892	469-822	504-631			

FYF COMPOUND CONE CRUSHER

INTRODUCTION

FYF compound cone crusher is used for medium and fine crushing of stone and ores with compressive strength not more than 300Mpa, such as iron ore, non-ferrous metal ores, basalt, granite, limestone, quartz, sandstone, river stone, etc. It works safely and stably, and is easy to operate by hydraulic locking, hydraulic adjusting and hydraulic cavity-cleaning.



- 1 Bowl
- 2 Adjusting Ring
- 3 Cone Part
- 4 Spring
- 5 Socket
- 6 Eccentric Part
- 7 Frame
- 8 Transmission Part

FEATURES

- Diverse crushing cavities to meet different requirements of capacity, input and output sizes.
- Safe working with spring or hydraulic cylinder overload protection system to pass the iron efficiently.
- Hydraulic pushing cylinder to adjust discharge opening easily.
- High capacity, wear-resistant mantle and concave, low running cost.

Technical Parameters - FYF Compound Cone Crusher

Model	Cavity type		Mantle diameter	Discharge opening range	Max. feed size	Capacity	Power	Weight (excluding motor)	Overall dimensions	
			(mm)	(mm)	(mm)	(t/h)	(kw)	(kg)	(mm)	
FYFB-0910	Standard	Fine	900	9-22	85	45-91	75	12367	2700X2275X2115	
FYFB-0917		Coarse		13-38	150	59-163		12221		
FYFB-0918		Extra-coarse		25-38	150	118-163		12220		
FYFD-0904	Short head	Fine	900	3-13	35	27-90	75	13164	2700X2275X2115	
FYFD-0906		Medium		3-16	51	27-100		13321		
FYFD-0907		Coarse		6-19	65	59-129		13316		
FYFB-1313	Standard	Fine	1295	13-31	115	109-181	160	22476	2983X1866X3156	
FYFB-1321		Medium		16-38	178	132-253		22167		
FYFB-1324		Coarse		19-51	205	172-349		22120		
FYFB-1325	Short head	Extra-coarse	1295	25-51	220	236-358	160	22125	2983X1866X3156	
FYFD-1306		Fine		3-16	54	36-163		21703		
FYFD-1308		Medium		6-16	78	82-163		21675		
FYFD-1310	Short head	Coarse	1295	8-25	89	109-227	160	21789	2983X1866X3156	
FYFD-1313		Extra-coarse		16-25	113	209-236		21821		
FYFBII-1620	Standard	Fine	1676	16-38	178	181-327	250	41460	3900X2930X3242	
FYFBII-1624		Medium		22-51	205	258-417		41087		
FYFBII-1626		Coarse		25-64	228	299-635		40834		
FYFBII-1636	Short head	Extra-coarse	1676	38-64	313	431-630	250	40674	3900X2930X3242	
FYFDII-1607		Fine		5-13	60	90-209		40734		
FYFDII-1608		Medium		6-19	76	136-281		40614		
FYFDII-1613	Short head	Coarse	1676	10-25	113	190-336	250	40531	3900X2930X3242	
FYFDII-1614		Extra-coarse		13-25	129	253-336		40374		
FYFBII-2127	Standard	Fine	2134	19-38	236	544-1034	400	86730	4613X3302X4638	
FYFBII-2133		Medium		25-51	284	862-1424				86730
FYFBII-2136		Coarse		31-64	314	1125-1814				
FYFBII-2146	Short head	Extra-coarse	2134	38-64	391	1252-1941	400	89500	4613X3302X4638	
FYFDII-2110		Fine		5-16	89	218-463				
FYFDII-2113		Medium		10-19	113	404-580				
FYFDII-2117	Short head	Coarse	2134	13-25	151	517-680	400	89500	4613X3302X4638	
FYFDII-2120		Extra-coarse		16-25	172	580-744				

FKL VERTICAL SHAFT IMPACT CRUSHER

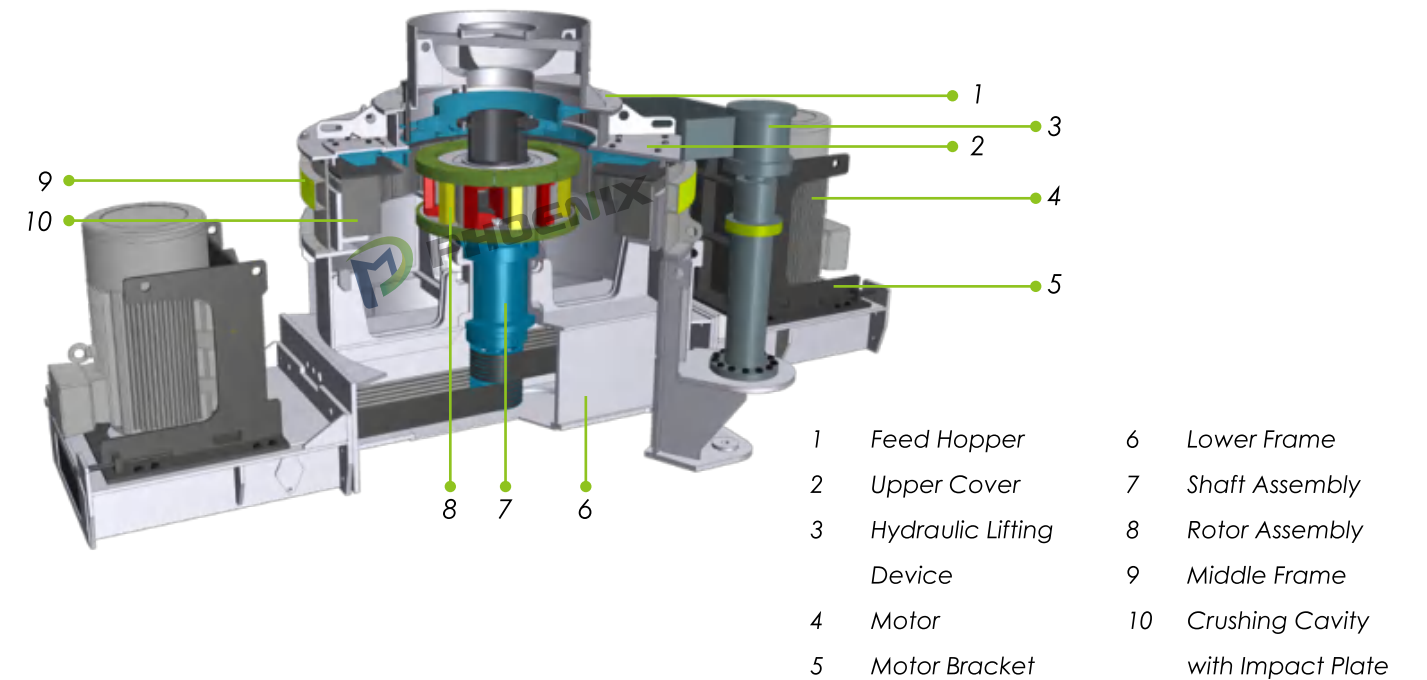
INTRODUCTION

FKL vertical shaft impact crusher, also called VSI and sand making machine, is a fine crushing equipment suitable for hard, brittle and abrasive materials. It can meet the construction requirements of artificial sand, concrete, and ore beneficiation for modern engineering, water conservancy, building, mining and other industries. It has the characteristics of high sand productivity and good product shape, and can interchange easily between different cavity types of "stone strikes stone" and "stone strikes iron".



FEATURES

- Double motor drive, strong power and higher capacity.
- It is easy to interchange between "stone strikes stone" cavity type and "stone strikes iron" cavity type.
- Only need to replace the material rack and crusher pulley to change between sand making and shaping.
- Hydraulic lifting device makes it easy to replace impact liners, inner and outer blades in the rotor, and can reduce downtime.
- Rotors with different head numbers can meet different process requirements.
- Thin oil lubrication system ensures good heat dissipation of the bearing and can prolong service life.



Technical Parameters - FKL Vertical Shaft Impact Crusher (VSI)

Model	Max. feed size	Impeller speed	Capacity	Power	Weight (excluding motor)
	(mm)	(r/min)	(t/h)	(kw)	(kg)
FKL-850	40	1230-1560	200-330	200×2 (132×2/160×2/220×2)	11400
FKL-850F	40	1230-1560	200-330	200×2 (132×2/160×2/220×2)	14000
FKL-850L	40	1230-1560	240-400	200×2 (132×2/160×2/220×2)	11500
FKL-1000	50	1070-1310	280-540	220×2 (160×2/200×2/250×2)	14000
FKL-1000F	50	1070-1310	280-540	220×2 (160×2/200×2/250×2)	16600
FKL-1000L	50	1070-1310	330-620	220×2 (160×2/200×2/250×2)	14100
FKL-1200	60	940-1100	380-660	250×2 (200×2/220×2/280×2)	15700
FKL-1200F	60	940-1100	380-660	250×2 (200×2/220×2/280×2)	18200
FKL-1200L	60	940-1100	460-760	250×2 (200×2/220×2/280×2)	15800

FKN REVERSIBLE NO-GRATE HAMMER CRUSHER

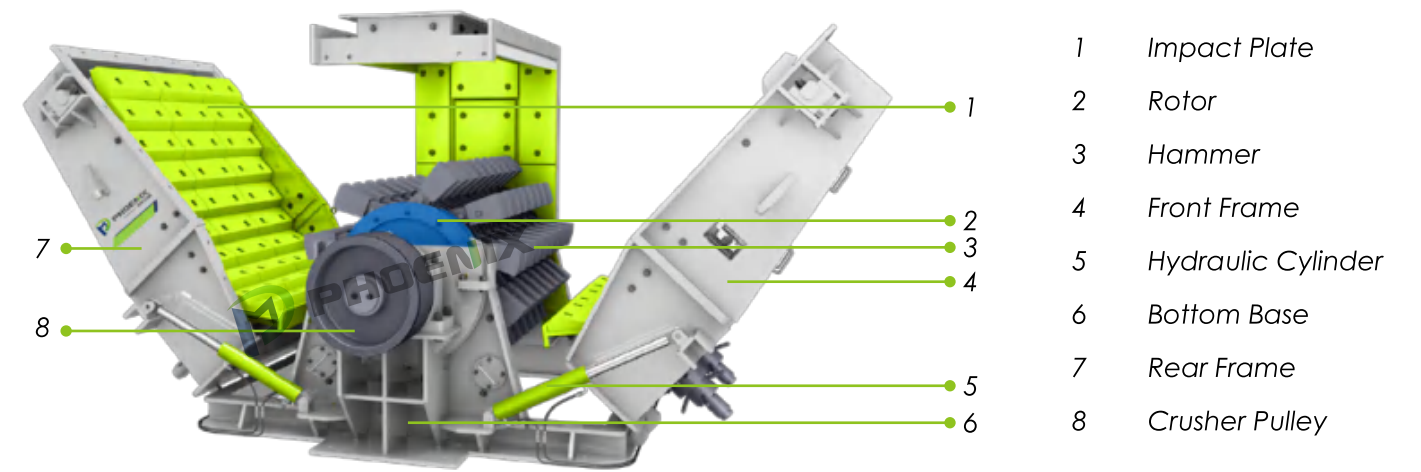
INTRODUCTION

FKN reversible no-grate hammer crusher is a fine crushing equipment with numbers of hammers on the rotor which can rotate reversibly and without grate on the bottom. It is one of the main equipment for fine crushing of brittle materials with medium and low hardness such as coking coal, small size limestone, gypsum, alum, bricks, tiles, etc. and is widely used in metallurgy, building materials, chemical and hydropower industries. FKN reversible no-grate hammer crusher is suitable for crushing materials with compressive strength not more than 150Mpa, and moisture less than 15%.



FEATURES

- Numbers of hammers and impact plates can fully crush the materials.
- The rotor can rotate reversibly to prolong the service life of hammers and impact plates.
- High rotation speed to produce fine and high qualified products.
- No grate, no grinding, less over-crushing, and high pass rate.
- No block with high moisture materials.
- Suitable for medium and hard rock crushing.



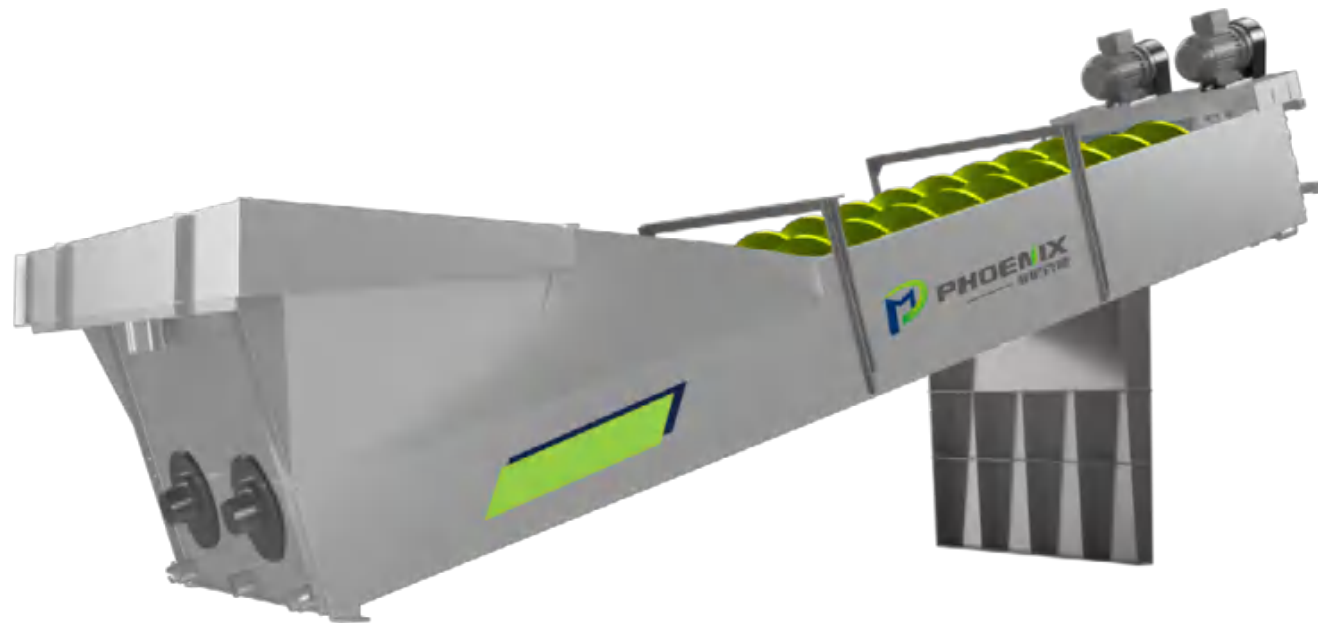
Technical Parameters - FKN Reversible No-grate Hammer Crusher

Model	FKN-1012	FKN-1214	FKN-1416	FKN-1618
Rotor size (D×L) (mm)	Φ1000×1200	Φ1200×1400	Φ1400×1600	Φ1600×1800
Rotor speed (r/min)	987	985	740	675
Feed opening size (mm)	300×1200	400×1400	400×1600	550×1800
Max. feed size (mm)	100	100	150	200
Discharge size (mm)	0-10	0-10	0-10	0-10
Capacity (t/h)	50-80	60-120	100-200	180-280
Power (kw)	132-160	160-220	280-315	315-500
Weight (excluding motor) (kg)	9000	15000	28000	38000
Overall dimensions (mm)	3200×2400×1700	3500×2700×2050	3900×2900×2200	4200×3100×2400

FXL SPIRAL SAND WASHER

INTRODUCTION

FXL spiral sand washer is a new type high-efficiency sand washing equipment that meets the actual requirements of sand and gravel industries. It has less sand loss in the washing process, and can wash sand cleanly. Especially its transmission part is separated from water and sand, and the failure rate is much lower than common sand washing machines.



FEATURES

- Simple structure and stable performance. The bearing device is separated from water and sand when the spiral blades are rotating, which can avoid damage to the bearing.
- Few loss of fine materials and stone powder during the washing process to meet the standard of grading and finess modulus of sand for building.
- Low operation and maintenance cost. Except for the spiral blades, there are no other wearing parts.
- Long service life, and maintenance is rarely required, which greatly reduce the maintenance cost.

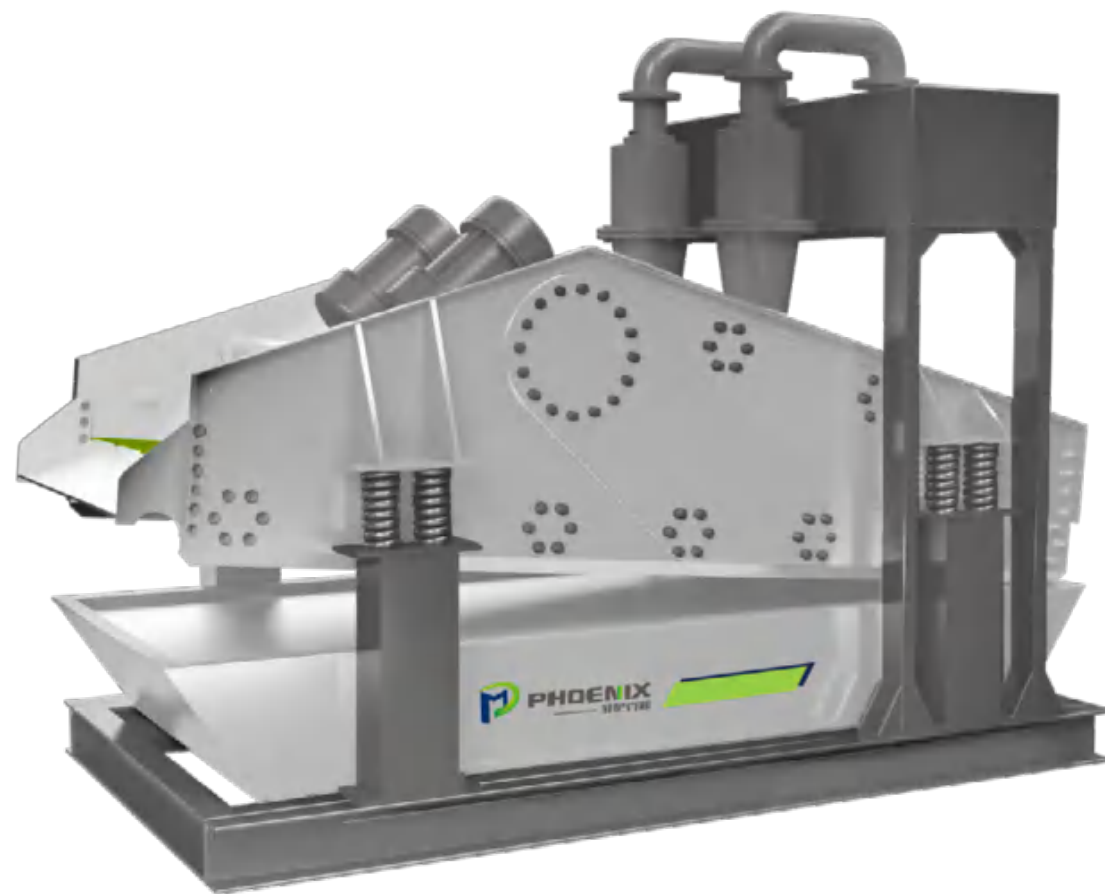
Technical Parameters - FXL Spiral Sand Washer

Model	FXL-915	F2XL-915	FXL-1115	F2XL-1115
Spiral diameter (mm)	915	915	1115	1115
Tub length (mm)	7585	7585	9782	9782
Feed size (mm)	≤ 10	≤ 10	≤ 10	≤ 10
Capacity (t/h)	100	200	175	350
Rotation speed (r/min)	21	21	17	17
Power (kw)	11	2×11	15	2×15
Water consumption (t/h)	10-80	20-160	20-150	40-300
Dimensions (mm)	8500×2810×3600	8420×3760×3960	10780×3980×4170	10970×5250×4720
Weight (kg)	6270	11110	10180	17940

FKT DEWATERING SCREEN

INTRODUCTION

FKT dewatering screen is a dehydration equipment to be used after sand washing equipment. It adopts dual-motor self-synchronization technology, and is mainly composed of screen box, vibration exciter, supporting system and motor. FKT dewatering screen is also equipped with hydrocyclone to collect fine sand on the top of screen and waste water tank under the screen.



FEATURES

- Water-proof and frequency-adapted motor by dual-motor drive self-synchronization technology, to achieve rapid dehydration effect.
- Small investment, simple process and compact structure. Convenient for system layout arrangement.
- 24-hour continuous dehydration work.
- High capacity, V-shaped screen design, -5° screen climbing dewatering to dehydrate sand product with low water content.
- The wear-resistant mesh has long service life and the mesh hole size is customized and optional.
- High strength structure without internal stress, light weight but durable.

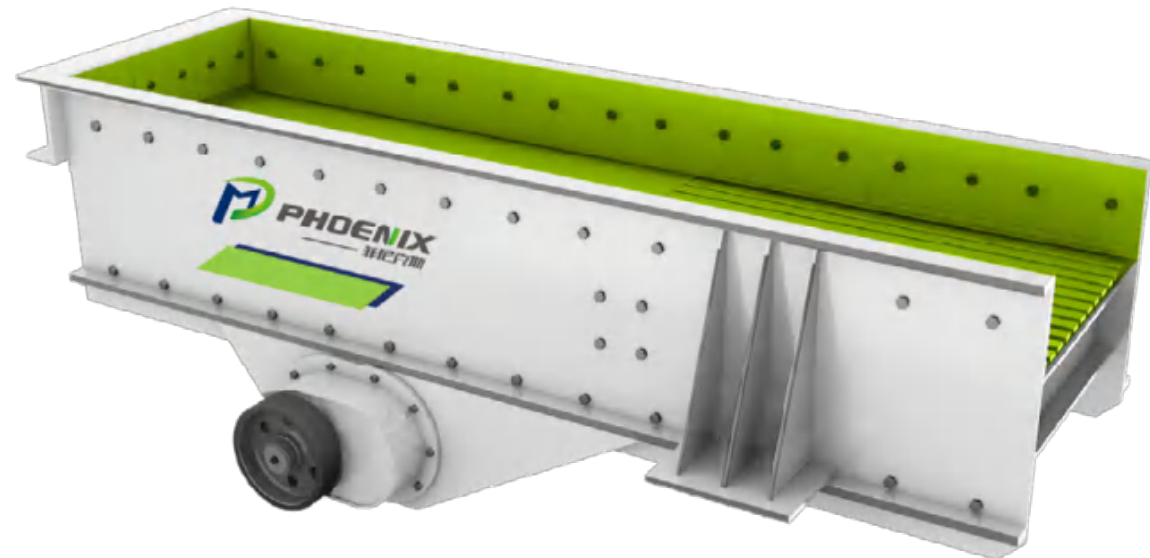
Technical Parameters - FKT Dewatering Screen

Model	Screen inclination angle	Common mesh size	Capacity	Power	Vibration exciter type	Weight
	(°)					
FKT-1036	-5 ~ -3	0.3 ~ 0.6	10 ~ 35	2 × 1.1	2×YZO-20-4	3800
FKT-1236	-5 ~ -3		18 ~ 65	2 × 2.4	2×YZO-30-4	4500
FKT-1536	-5 ~ -3		30 ~ 90	2 × 3.1	2×YZO-40-6	5700
FKT-1838	-5 ~ -3		40 ~ 120	2 × 5.5	4×39-6	6600
FKT-2138	-3 ~ 0		60 ~ 150	2 × 7.5	4×45-6	8200
FKT-2538	-3 ~ 0		80 ~ 200	2 × 11	4×64-6	11000

FKZ VIBRATING FEEDER (GRIZZLY)

INTRODUCTION

FKZ vibrating feeder is a feeding equipment usually used before jaw crusher to feed materials continuously and evenly into crushing equipment. It is equipped with grizzly bars to prescreen waste mud or fine materials from the raw materials, so that the next crushing equipment can work more efficiently. The distance between grizzly bars can be different to meet different project requirements.



FEATURES

- Simple structure, large feeding capacity, continuous work and adjustable excitation force.
- Stepless speed control for feed quantity, easy to operate.
- Eccentric shaft and vibration motor bring the excitation force with low noise and low power consumption to avoid material rush.
- Strong adaptability to various kinds of dry and wet materials and can work in dusty environment.
- Convenient installation and maintenance, low operating cost.

Technical Parameters - FKZ Vibrating Feeder (Grizzly)

Model	Chute size	Max.feed size	Capacity	Eccentric shaft speed	Power	Weight (excluding motor)	Overall dimensions
	(mm)	(mm)	(t/h)	(r/min)	(kw)	(kg)	(mm)
FKZ-380×96	3800×960	500	100-160	500-714	11	4200	3882×1684×1340
FKZ-490×110	4900×1100	630	120-280	500-800	15	5500	4957×2400×2150
FKZ-590×110	5900×1100	630	200-350	750	22	6100	6000×2500×2150
FKZ-600×130	6000×1300	750	400-560	500-800	30	7800	6082×2580×2083
FKZ-600×150	6000×1500	1020	460-575	500-800	30	8700	6086×2662×2186
FKZ-600×180	6000×1800	1200	600-800	500-800	37	11800	6310×3262×2230

FKX VIBRATING FEEDER

INTRODUCTION

FKX vibrating feeder is a small feeding equipment without grizzly to feed materials from transit bin, tunnel or other stock bins to crushing equipment via or not via belt conveyor. It can feed materials evenly and continuously with fixed quantity.



FEATURES

- Small size, light weight, simple and compact structure.
- Convenient installation and maintenance, low operating cost.
- High efficiency and large feeding capacity.
- Low noise and low power consumption.
- Stable amplitude and reliable operation, strong adaptability to various kinds of materials.

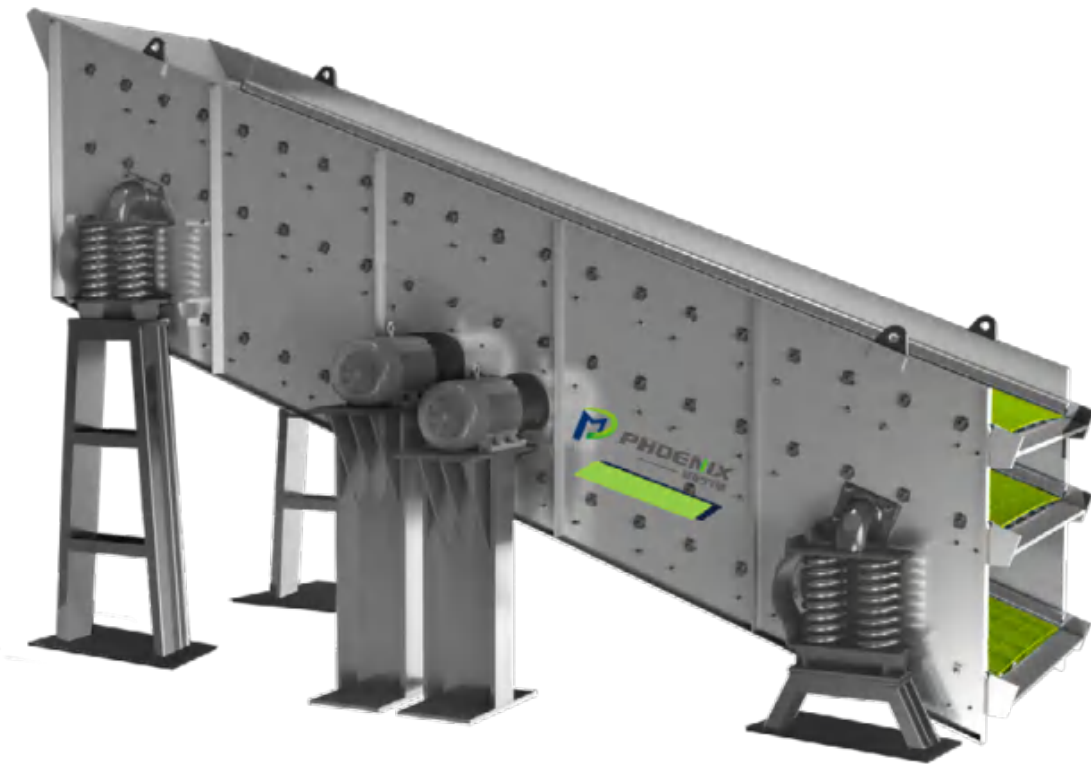
Technical Parameters - FKX Vibrating Feeder

Model	FKX-703	FKX-1003	FKX-1253	FKX-1503	
Chute size (W*L*H)(mm)	700×1290 x 250	1000×1750×250	1250×2000×315	1500×2250×300	
Capacity (t/h)	Horizontal	120	270	460	720
	-10°	170	380	650	1000
Max. feed size (mm)	200	300	350	500	
Vibrating frequency (r/min)	1450	1450	1450	1450	
Double amplitude (mm)	4	4	4	3.5	
Power (kw)	2×0.55	2×1.1	2×1.5	2×2.2	
Weight (kg)	389	762	1099	1477	

FYK VIBRATING SCREEN

INTRODUCTION

FYK vibrating screen is a high-efficiency multi-deck screening equipment which moves circularly to classify materials into different sizes. It is widely used in screening the materials for mining, building materials, chemical, railway and other industries.



FEATURES

- Strong excitation force by eccentric block, high capacity.
- High screening efficiency and low vibration noise.
- Strong structure, flexible coupling, and stable work.
- Steel mesh or high wear-resistant PU mesh are optional for different project requirements.

Technical Parameters - FYK Vibrating Screen

Model	Deck	Screen size	Max. feed size	Capacity	Installation angle	Vibrating frequency	Power	Overall dimensions
		(mm)	(mm)	(t/h)	(°)	(HZ)	(kW)	(mm)
F2YK-1230	2	1200×3000	100	7.5~80	20	16.2	5.5	3818*1858*1070
F3YK-1230	3	1200×3000	100	7.5~80	20	16.2	7.5	3922*1858*1420
F2YK-1548	2	1500×4800	200	30~200	20	16.2	15	5745*2152*1320
F3YK-1548	3	1500×4800	200	30~200	20	16.2	15	5909*2152*1770
F4YK-1548	4	1500×4800	200	30~250	20	16.2	18.5	6073*2152*2220
F2YK-1860	2	1800×6000	250	50~300	20	16.2	22	6968*2536*1490
F3YK-1860	3	1800×6000	250	50~300	20	16.2	22	7132*2536*1940
F4YK-1860	4	1800×6000	250	50~300	20	16.2	30	7295*2536*2390
F2YK-2160	2	2100×6000	250	100~400	20	12.16	22	6972*2846*1502
F3YK-2160	3	2100×6000	250	100~400	20	12.16	22	7136*2846*1952
F4YK-2160	4	2100×6000	250	100~400	20	12.16	30	7300*2846*2402
F2YK-2460	2	2400×6000	300	150~600	20	12.16	30	6972*3156*1502
F3YK-2460	3	2400×6000	300	150~600	20	12.16	30	7136*3156*1952
F4YK-2460	4	2400×6000	300	150~600	20	12.16	37	7300*3156*2402
F2YK-2475	2	2400×7500	300	200~650	20	12.16	22*2	8491*3156*1613
F3YK-2475	3	2400×7500	300	200~650	20	12.16	22*2	8667*3156*2163
F4YK-2475	4	2400×7500	300	200~650	20	12.16	22*2	8818*3156*2513
F2YK-3072	2	3000×7200	350	200~800	20	12.16	22*2	7991*3716*1613
F3YK-3072	3	3000×7200	350	200~800	20	12.16	22*2	8167*3716*2163
F4YK-3072	4	3000×7200	350	200~800	20	12.16	30*2	8318*3716*2513
F2YK-3680	2	3600×8000	350	300~1000	20	12.16	37*2	8906*4406*2030
F3YK-3680	3	3600×8000	350	300~1000	20	12.16	45*2	9088*4423*2530
F4YK-3680	4	3600×8000	350	300~1000	20	12.16	45*2	9252*4423*2980

FACTORIES



MARKET



PARTNERS

